



## Product Information

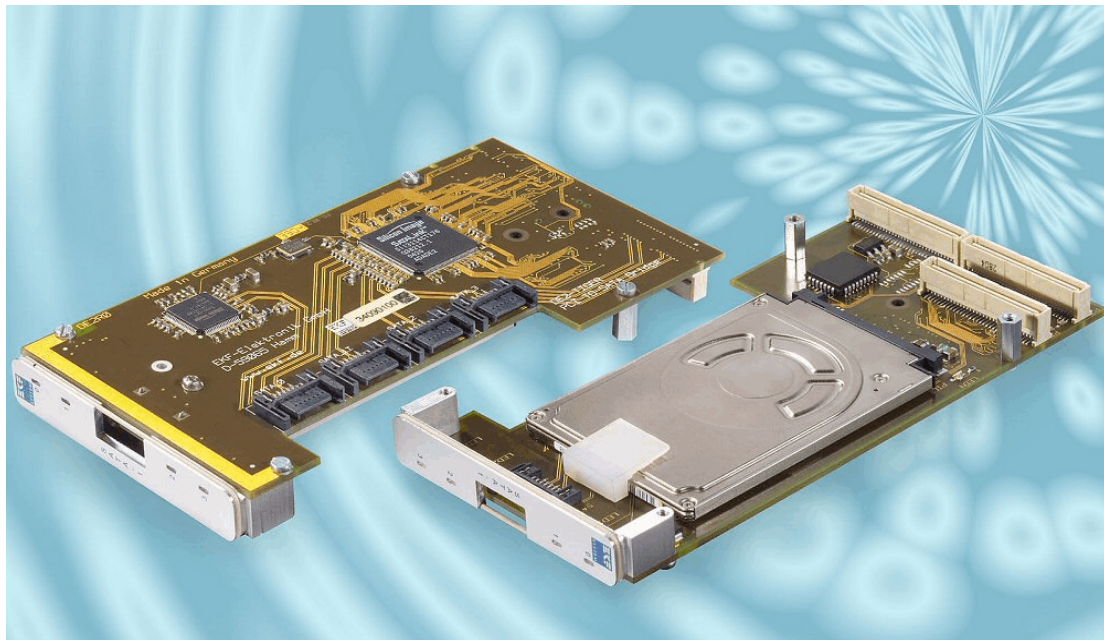
### DE2-TIGER • PMC Module Quad Serial ATA Controller & 1.8-Inch Hard Disk Drive

Document No. 3449 • Edition 2006-07

*The DE2-TIGER from EKF is a quad port Serial ATA hostadapter, compliant with SATA 1.0 specification. The PMC mezzanine module can be optionally equipped with an 1.8-inch on-board hard disk drive. Hence the DE2-TIGER is a reliable mass-storage solution for rugged environments, suitable for any CompactPCI or VMEbus PMC carrier boards.*

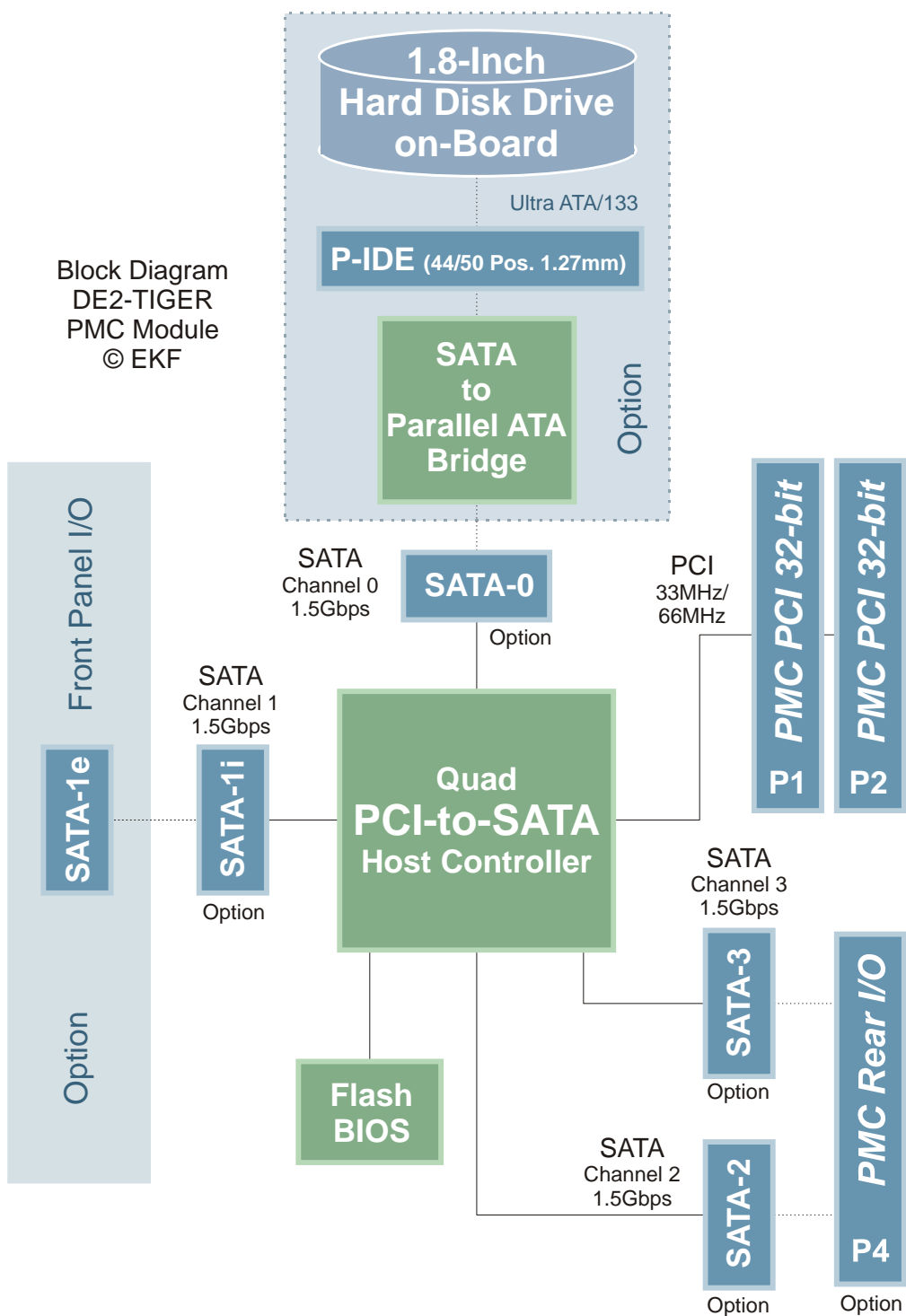
The DE2-TIGER provides an extended BIOS, which enables the module to operate either as boot device, or as additional SATA host controller in a system.

In addition, the optional on-board SATA to Parallel ATA bridge allows for attachment of a legacy IDE (Parallel ATA) hard disk drive.



DE2-TIGER

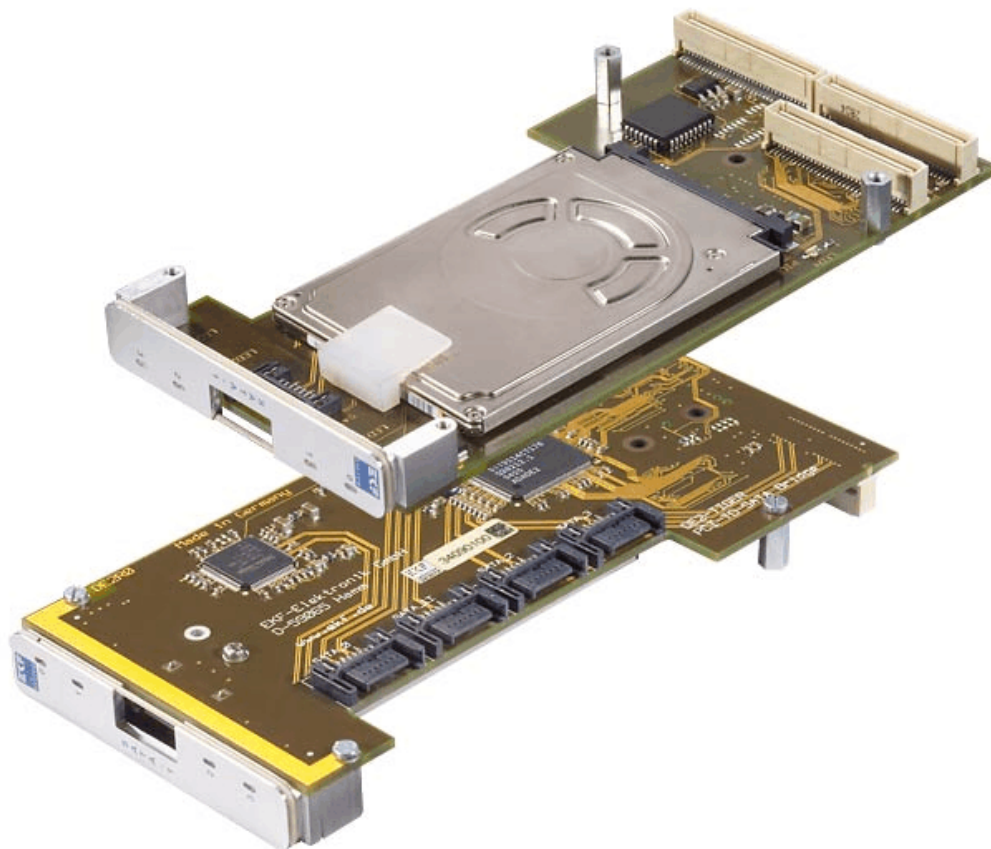
Block Diagram DE2-TIGER



The DE2-TIGER provides four separate SATA channels to access storage media such as hard disk drive. On-board SATA connectors are provided optionally for system internal usage. As an alternative, SATA line 0 is dedicated to an optional on-board 1.8-inch hard disk drive by means of the on-board Serial ATA to Parallel ATA bridge. SATA line 1 is alternatively accessible for an external device attached to the front bezel connector.

Also available as an option, the SATA lines 2 & 3 are alternatively wired for rear I/O usage across P4.

Available for download are drivers (RAID and non-RAID) for popular operating systems, e.g. Windows® 2000, Windows® XP, Linux and Novell Netware®. A software RAID configuration utility and a BIOS Flash tool complement the software suite.

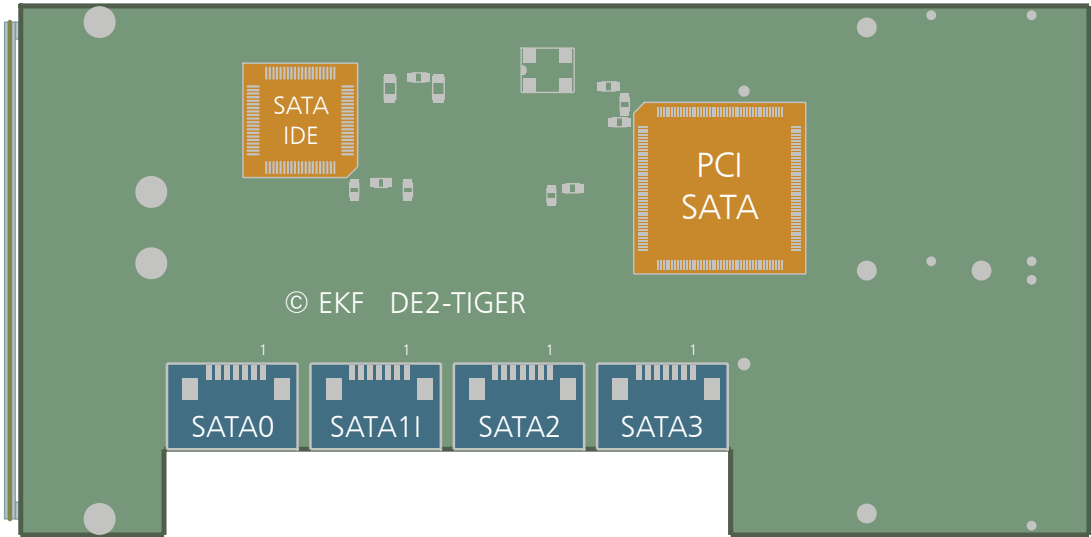
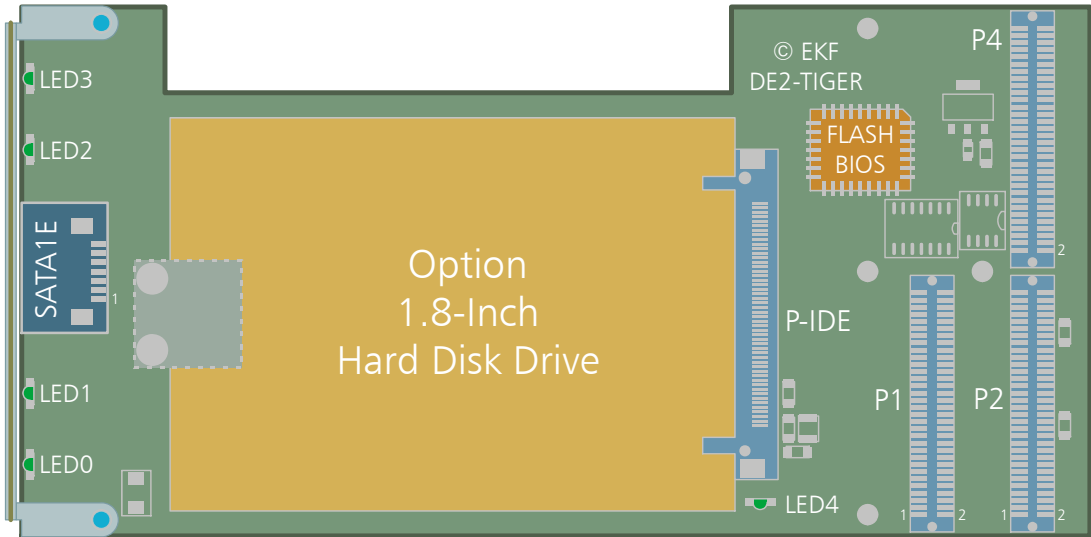


## Feature Summary DE2-TIGER

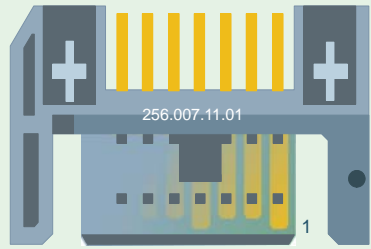
Form Factor	PMC Mezzanine Card 149.0 x 74.0mm Single Size CMC Envelope IEEE P1386.1
Controller	PCI to 4-port Serial ATA (SATA) host controller (Silicon Image), SATALink 1.5Gbps
SATA Port Assignment (Connector Options)	<ul style="list-style-type: none"> <li>▶ Channel 0 available either via on-board connector option SATA-0, or dedicated to the on-board SATA to Parallel ATA bridge (option for 1.8-inch IDE on-board hard disk drive)</li> <li>▶ Channel 1 available either via on-board connector option SATA-1i (i=internal usage), or accessible via SATA-1e (e=external) front bezel SATA connector (option)</li> <li>▶ Channels 2 &amp; 3 available either via on-board connectors SATA-2 &amp; SATA-3 (option), or channels 2 &amp; 3 optionally routed to P1386 PMC connector P4 for rear I/O usage</li> </ul>
PCI Interface	32-bit, 33/66MHz, P1386 PMC connectors P1/P2
BIOS	On-board Flash, non-RAID or RAID versions, programming tool available for BIOS update
Drivers/Software	Windows® 2000, Windows® XP, Linux and Novell Netware®, Software RAID (Level 0 = striping , 1 = mirroring, 10 = mirrored stripe), RAID controller function requires changing of standard BIOS to RAID BIOS (BIOS Flash tool available by download)
Typical Power Consumption	+3.3V ±5% 0.45A max. (0.9A max. including on-board hard disk)
Thermal Conditions	<ul style="list-style-type: none"> <li>• Operating temperature: 0°C to +70°C</li> <li>• Storage temperature: -40°C to +85°C</li> </ul>
Environmental Conditions	<ul style="list-style-type: none"> <li>• Humidity 5% ... 95% non condensing</li> <li>• Altitude -300m ... +3000m</li> <li>• Shock 15g 0.33ms, 6g 6ms</li> <li>• Vibration 1g 5-2000Hz</li> </ul>
MTBF	0.4 * 10 <sup>6</sup> h
Option on-Board Hard Disk Drive	20GB .. 80GB, e.g. Toshiba 1.8-inch embedded drive MK3006GAL 30GB, Ultra ATA/100, 4200RPM, average seek time 15ms, low power 3.3V 1.1W seek, 0.4W active idle, high reliability MTTF 300.000h, vibration (operating) 2g 15-500Hz, shock (operating) 500g 2ms half sine wave

[subject to technical changes](#)

Top View Assembly Drawing DE2-TIGER



## SATA Connectors SATA-0 - SATA-3

SATA-0 - SATA-3	
	
1	GND
2	SATA_TX(0-3)+
3	SATA_TX(0-3)-
4	GND
5	SATA_RX(0-3)-
6	SATA_RX(0-3)+
7	GND

All on-board SATA connectors are provided as an option:

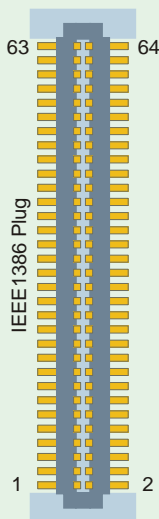
- ▶ Choose exclusively either SATA-0, or the on-board hard disk option
- ▶ Choose exclusively either SATA-1i (internal), or SATA-1e (external usage - front bezel)
- ▶ Choose exclusively either SATA-2, or rear I/O across P4
- ▶ Choose exclusively either SATA-3, or rear I/O across P4

Please note that the optional on-board SATA receptacles with exception of SATA-1e are mounted on the bottom side of the PCB (this is the side remaining visible when a PMC module has been installed on the carrier board). In some cases, such SATA receptacles (or even more likely cable connectors attached to them) may come in conflict with other components either on the carrier board itself (e.g. high profile heat sink, or a neighbored PMC module) or components stuffed on the bottom side of another board on the next backplane slot in a system. Be sure to explore your individual situation before ordering a custom specific version of the DE2-TIGER which provides on-board SATA connectors.

Board Version	SATA Channel (Function/Connector)			
	Line 0	Line 1	Line 2	Line 3
DE2-1-TIGER	SATA-0	SATA-1e	P4	P4
DE2-2-TIGER	SATA/IDE bridge	SATA-1e	P4	P4
DE2-XX-TIGER	SATA/IDE bridge	SATA-1e	P4	P4
Custom Specific Options <sup>1</sup>	SATA-0	SATA-1i	SATA-2	SATA-3

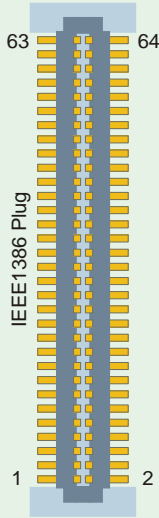
<sup>1</sup> Choose an option for each individual SATA line. It is also valid to specify no function (not connected) for a particular SATA channel. Please request for a quote for your custom specific version (please include quantity).

## PMC Mezzanine Connector P1

P1 PMC PC <sub>i</sub>				
 <p>IEEE1386 Plug</p>	GND	63	64	<i>req64#</i>
	ad0	61	62	+5V
	ad2	59	60	ad1
	<i>Vio</i>	57	58	ad3
	ad4	55	56	GND
	ad6	53	54	ad5
	GND	51	52	<i>c/be0#</i>
	ad9	49	50	+5V
	ad12	47	48	ad11
	<i>Vio</i>	45	46	ad15
	par	43	44	GND
	<i>rsvd</i>	41	42	<i>rsvd</i>
	GND	39	40	<i>lock#</i>
	devsel#	37	38	+5V
	GND	35	36	irdy#
	frame#	33	34	GND
	<i>Vio</i>	31	32	ad17
	ad19	29	30	+5V
	ad22	27	28	ad21
	GND	25	26	<i>c/be3#</i>
	ad25	23	24	GND
	ad28	21	22	ad27
	<i>Vio</i>	19	20	ad31
	req#	17	18	+5V
	GND	15	16	gnt#
	clk	13	14	GND
	GND	11	12	3.3Vaux
	<i>intd#</i>	09	10	<i>rsvd</i>
	busmode1#	07	08	+5V
	<i>intb#</i>	05	06	<i>intc#</i>
	GND	03	04	inta#
	tck	01	02	-12V

*gray/italic: NC*

## PMC Mezzanine Connector P2

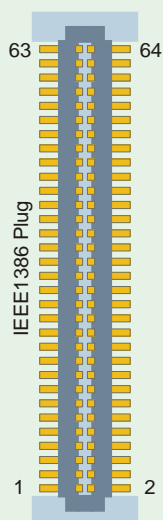
P2 PMC PCI				
	GND	63	64	<i>rsvd</i>
	<i>ack64#</i>	61	62	+3.3V
	GND	59	60	<i>rsvd</i>
	<i>rsvd</i>	57	58	<i>rsvd</i>
	<i>rsvd</i>	55	56	GND
	+3.3V	53	54	<i>rsvd</i>
	<i>ad7</i>	51	52	<i>rsvd</i>
	<i>ad8</i>	49	50	+3.3V
	<i>m66en</i>	47	48	<i>ad10</i>
	<i>ad14</i>	45	46	<i>ad13</i>
	<i>c/be1#</i>	43	44	GND
	+3.3V	41	42	<i>serr#</i>
	<i>perr#</i>	39	40	GND
	GND	37	38	<i>stop#</i>
	<i>trdy#</i>	35	36	+3.3V
	GND	33	34	<i>rsvd</i>
	<i>ad16</i>	31	32	<i>c/be2#</i>
	<i>ad18</i>	29	30	GND
	+3.3V	27	28	<i>ad20</i>
	<i>idsel</i>	25	26	<i>ad23</i>
	<i>ad24</i>	23	24	+3.3V
	GND	21	22	<i>ad26</i>
	<i>ad30</i>	19	20	<i>ad29</i>
	<i>pme#</i>	17	18	GND
	3.3V	15	16	<i>busmode4#</i>
	<i>rst#</i>	13	14	<i>busmode3#</i>
	<i>busmode2#</i>	11	12	+3.3V
	<i>rsvd</i>	09	10	<i>rsvd</i>
	GND	07	08	<i>rsvd</i>
	<i>tdi</i>	05	06	GND
	<i>tms</i>	03	04	<i>tdo</i>
	+12V	01	02	<i>trst#</i>

*gray/italic: NC*



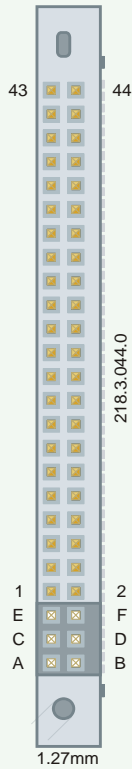
## PMC Mezzanine Connector P4

P4 PMC Rear I/O				
		63	64	
		61	62	
	GND	59	60	GND
	SATA_RX2+	57	58	GND
	SATA_RX2-	55	56	GND
	GND	53	54	GND
	SATA_TX2-	51	52	GND
	SATA_TX2+	49	50	GND
	GND	47	48	GND
	LED2	45	46	GND
	+3.3V	43	44	GND
		41	42	
	GND	39	40	GND
	SATA_RX3+	37	38	GND
	SATA_RX3-	35	36	GND
	GND	33	34	GND
	SATA_TX3-	31	32	GND
	SATA_TX3+	29	30	GND
	GND	27	28	GND
	LED3	25	26	GND
	+3.3V	23	24	GND
		21	22	
		19	20	
		17	18	
		15	16	
		13	14	
		11	12	
		09	10	
		07	08	
		05	06	
		03	04	
		01	02	



IDE Connector P-IDE

P-IDE Primary IDE 1.27mm Dual-Row Connector (On-Board Hard-Disk-Drive 1.8-inch)				
		A <sup>2)</sup>	B <sup>2)</sup>	
		C <sup>2)</sup>	D <sup>2)</sup>	
		E <sup>2)</sup>	F <sup>2)</sup>	
	reset#	1	2	GND
	d07	3	4	d08
	d06	5	6	d09
	d05	7	8	d10
	d04	9	10	d11
	d03	11	12	d12
	d02	13	14	d13
	d01	15	16	d14
	d00	17	18	d15
	GND	19	20	
	dmarq	21	22	GND
	iow#	23	24	GND
	ior#	25	26	GND
	iordy	27	28	GND
	dmack#	29	30	GND
	intrq	31	32	
	a1	33	34	cblid
	a0	35	36	a2
	cs0#	37	38	cs1#
	asp#	39	40	GND
	+3.3V <sup>1)</sup>	41	42	+3.3V <sup>1)</sup>
	GND	43	44	



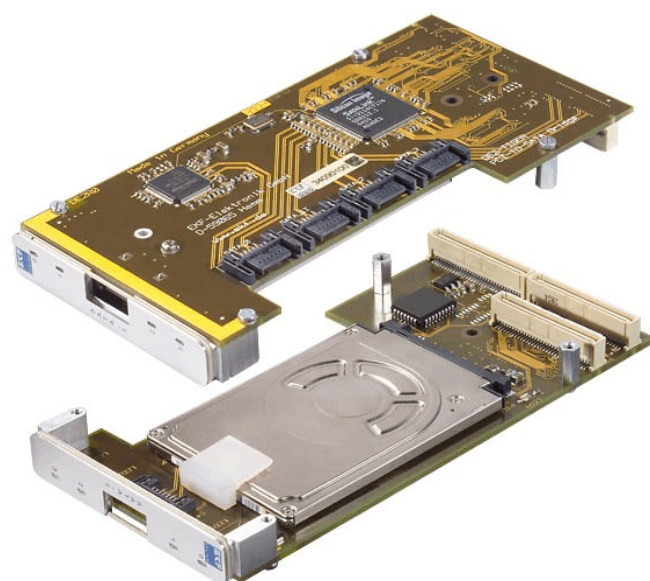
<sup>1)</sup> PolySwitch 0.75A <sup>2)</sup> Drive Configuration

## Ordering Information

Alias	Ordering No.	Short Description
TIGER	DE2-1-TIGER	PMC Serial ATA controller, w/o on-board hard disk drive, stuffed SATA connectors SATA-0 (on-board/internal usage), SATA-1E (front bezel/external usage)
TIGER	DE2-2-TIGER	PMC Serial ATA controller, with on-board hard disk drive 1.8-inch, stuffed connector SATA-1E (front bezel), not stuffed connector SATA-0 (replaced by SATA/IDE bridge)



DE2-TIGER on a PMC Carrier Board



EKF Elektronik GmbH  
Philipp-Reis-Str. 4  
59065 HAMM  
Germany



Fax. +49 (0)2381/6890-90  
Tel. +49 (0)2381/6890-0  
Internet [www.ekf.com](http://www.ekf.com)  
E-Mail [info@ekf.de](mailto:info@ekf.de)